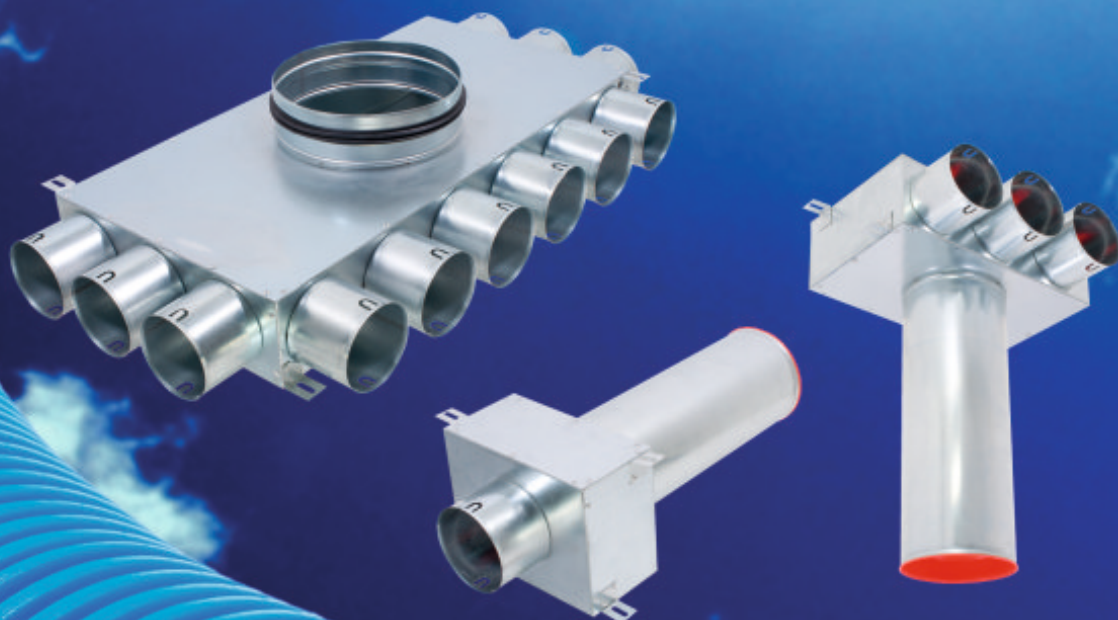


Flexible ventilation ducting accessories  
**KLIMAFLEX SB**

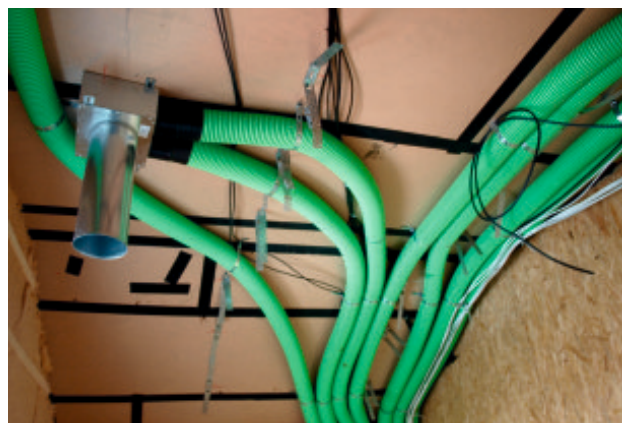




Project design and execution of construction work including HRV



Opava - Vávrovce



Opava - Jaktář



Opava - Vávrovce



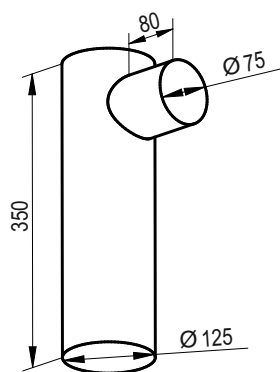
Opava - Stěbořice







### KLOZ-1x75/125-OC Pass-through ceiling / Wall box for DN 125 air valve



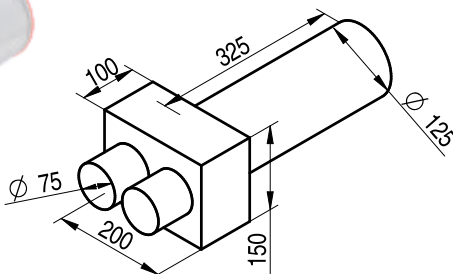
Material: galvanised steel

Supplied components:

- DN 125 plug
- safeguards against movement of the flexible piping
- 1 DN 75 sealing ring

Airflow speed m/s	2	2,5	3
Volume m <sup>3</sup> /h (1x75)	21	26	32

### KLO-2x75/P-125-OC Pass-through flat ceiling / Wall box for DN 125 air valve



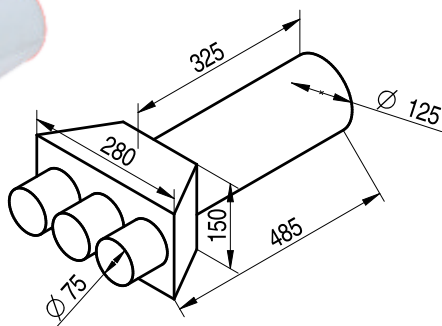
Material: galvanised steel

Supplied components:

- DN 125 plug
- installation fixtures
- safeguards against movement of the flexible piping
- 2 DN 75 sealing rings

Airflow speed m/s	2	2,5	3
Volume m <sup>3</sup> /h (1x75)	21	26	32
Volume m <sup>3</sup> /h (2x75)	42	52	64

### KLO-3x75/P-125-OC Pass-through flat ceiling / Wall box for DN 125 air valve



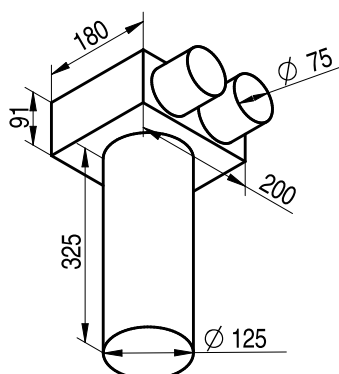
Material: galvanised steel

Supplied components:

- DN 125 plug
- installation fixtures
- safeguards against movement of the flexible piping
- 3 DN 75 sealing rings

Airflow speed m/s	2	2,5	3
Volume m <sup>3</sup> /h (1x75)	21	26	32
Volume m <sup>3</sup> /h (2x75)	42	52	64
Volume m <sup>3</sup> /h (3x75)	63	78	96

### KLO-2x75/125-OC Pass-through ceiling / Wall box for DN 125 air valve



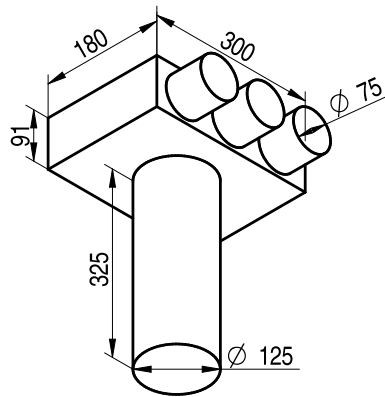
Material: galvanised steel

Supplied components:

- DN 125 plug
- installation fixtures
- safeguards against movement of the flexible piping
- 2 DN 75 sealing rings

Airflow speed m/s	2	2,5	3
Volume m <sup>3</sup> /h (1x75)	21	26	32
Volume m <sup>3</sup> /h (2x75)	42	52	64

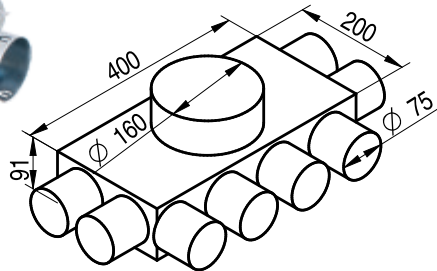
**KLO-3x75/125-OC** Pass-through ceiling / Wall box for DN 125 air valve



- Material: galvanised steel  
Supplied components:
- DN 125 plug
  - installation fixtures
  - safeguards against movement of the flexible piping
  - 3 DN 75 sealing rings

Airflow speed m/s	2	2,5	3
Volume m <sup>3</sup> /h (1x75)	21	26	32
Volume m <sup>3</sup> /h (2x75)	42	52	64
Volume m <sup>3</sup> /h (3x75)	63	78	96

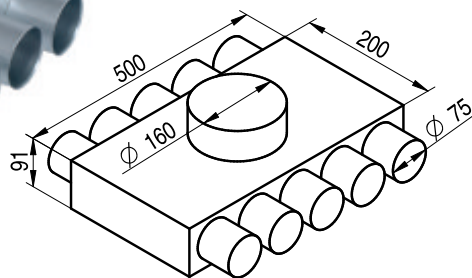
**KL-8x75/160-OC** Flat distribution box



- Material: galvanised steel  
Supplied components:
- DN 160 seal O -ring
  - installation fixtures
  - safeguards against movement of the flexible piping
  - 8 DN 75 sealing rings
  - interior box insulation\*

Airflow speed m/s	2	2,5	3
Volume m <sup>3</sup> /h (8x75)	168	208	256

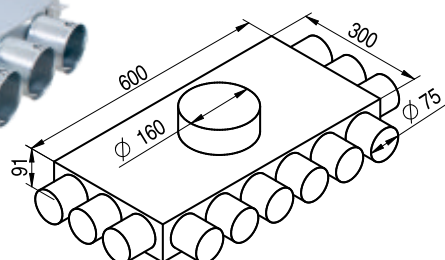
**KL-10x75/160-OC** Flat distribution box



- Material: galvanised steel  
Supplied components:
- DN 160 seal O -ring
  - installation fixtures
  - safeguards against movement of the flexible piping
  - 10 DN 75 sealing rings
  - interior box insulation\*

Airflow speed m/s	2	2,5	3
Volume m <sup>3</sup> /h (10x75)	210	260	320

**KL-12x75/160-OC** Flat distribution box

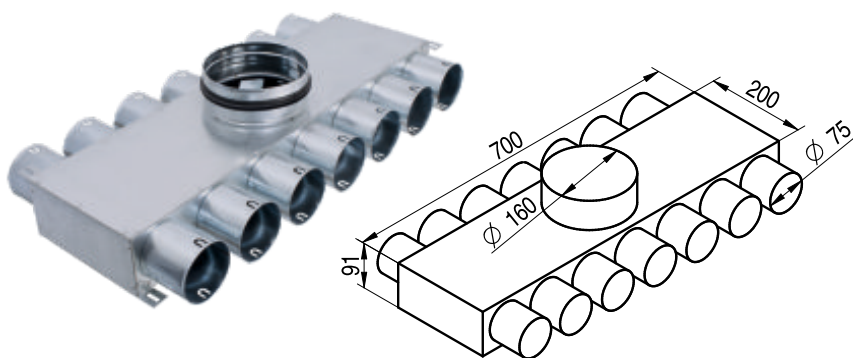


- Material: galvanised steel  
Supplied components:
- DN 160 seal O -ring
  - installation fixtures
  - safeguards against movement of the flexible piping
  - 12 DN 75 sealing rings
  - interior box insulation\*

Airflow speed m/s	2	2,5	3
Volume m <sup>3</sup> /h (12x75)	252	312	384

\* hygienical

### KL-14x75/160-0C Flat distribution box



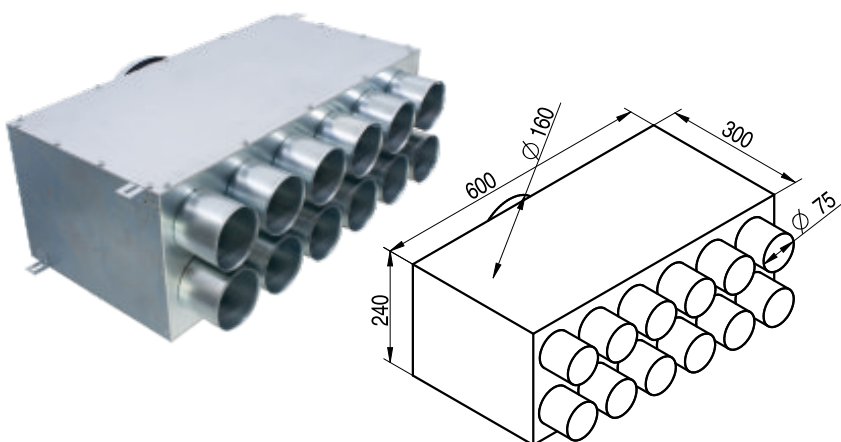
Material: galvanised steel

Supplied components:

- DN 160 seal O -ring
- installation fixtures
- safeguards against movement of the flexible piping
- 14 DN 75 sealing rings
- interior box insulation\*

Airflow speed m/s	2	2,5	3
Volume m <sup>3</sup> /h (14x75)	294	364	448

### RT2R-12x75/160-0C Direct distribution box



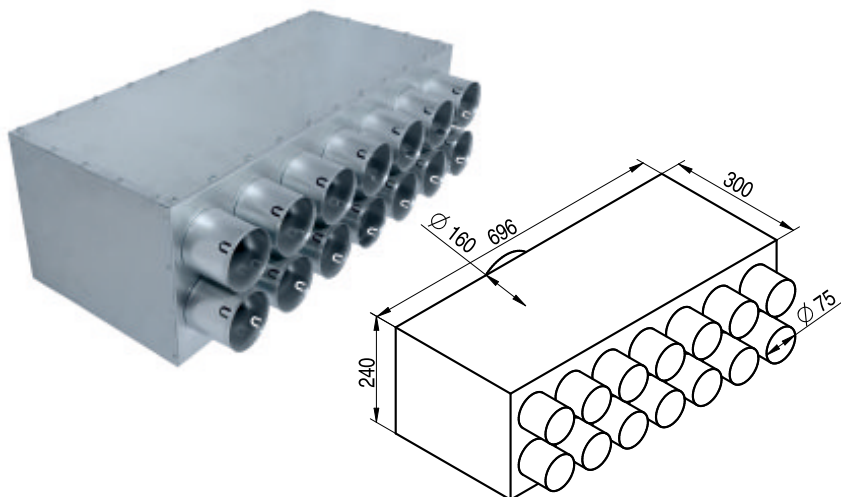
Material: galvanised steel

Supplied components:

- DN 160 seal O -ring
- installation fixtures
- safeguards against movement of the flexible piping
- 12 DN 75 sealing rings
- interior box insulation\*
- inspection hatch

Airflow speed m/s	2	2,5	3
Objem m <sup>3</sup> /h (12x75)	252	312	384

### RT2R-14x75/160-0C Direct distribution box



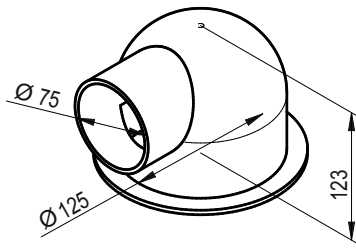
Material: galvanised steel

Supplied components:

- DN 160 seal O -ring
- installation fixtures
- safeguards against movement of the flexible piping
- 14 DN 75 sealing rings
- interior box insulation\*
- inspection hatch

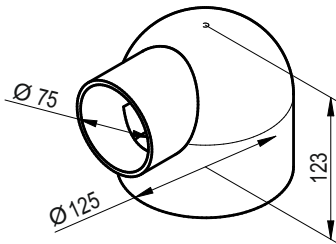
Airflow speed m/s	2	2,5	3
Volume m <sup>3</sup> /h (14x75)	294	364	448

**SV 75/125** Plastic ceiling/Wall outlet



For installation on plasterboard with vapour barrier  
 Input for DN 75 flexible piping  
 Output for DN 125 table valve  
 Material: PP  
 Supplied components:  
 • installation screws  
 • DN 75 seal O-ring  
 • DN 125 cap

**SJD-75-125** Plastic ceiling/Wall outlet

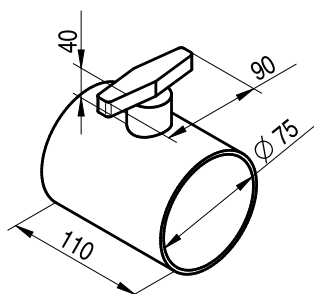


For installation on plasterboard with vapour barrier  
 Input for DN 75 flexible piping  
 Output for DN 125 table valve  
 Material: PP  
 Supplied components:  
 • installation screws  
 • DN 75 seal O-ring  
 • DN 125 cap



Example of use with the Lindab connector and SPIRO pipes  
*(not included in the delivery)*

**RK-75** Airflow damper

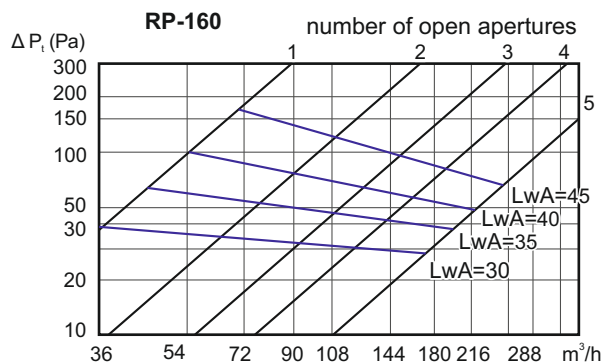
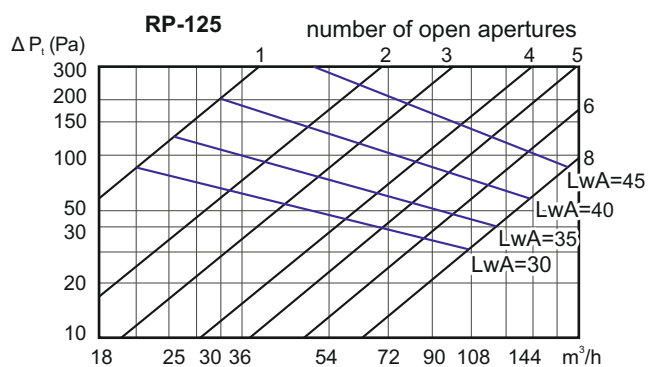
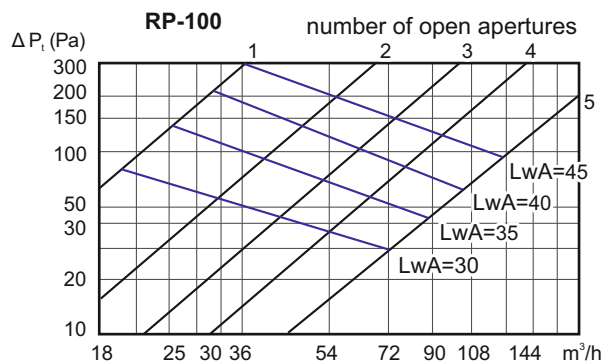
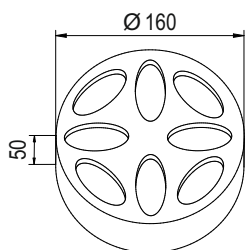
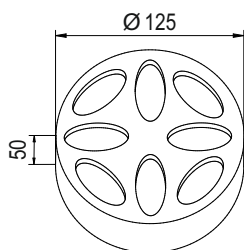
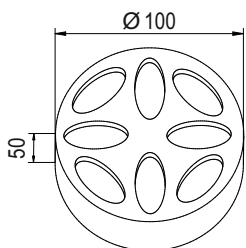


For manually regulating the volume of air in the air-conditioning route  
 Inlet and outlet intended for KLIMAFLEX SB DN 75 pipes  
 Secure the pipe in the flap using air-tight tape  
 Material: PP  
 Parts:  
 • locking nut for securing the position of the reducing valve

## RP Flow-through regulator with damper



Special damping foam  
The air flow-through is regulated by means of the number of open apertures

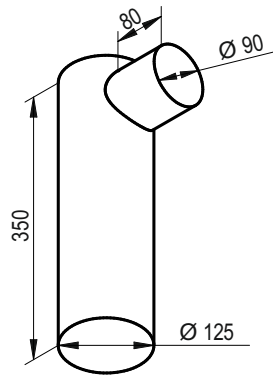


Damping of dB in frequency band (Hz)

Type	Number of open apertures	63 Hz	125 Hz	250 Hz	500 Hz	1 kHz	2 kHz	4 kHz	8 kHz
RP-100	1	6,5	7	4	9,5	13	16	18	22
	3	3	3,5	2,5	5,5	8,5	8,5	15	19
	5	1,5	2,5	1,5	3,5	6	6,5	12	17
RP-125	2	5,5	6,5	7	6,5	10	15	19	21
	5	2	2	2,5	3	8,5	8	14	19
	8	1	1,5	1,5	2,5	6	6	11	18
RP-160	1	6,5	7	4	9,5	13	16	18	22
	3	2,8	3,5	2,5	5,8	8,5	8,7	14,5	19
	5	3	3,5	2,5	5,5	8,5	8,5	15	20



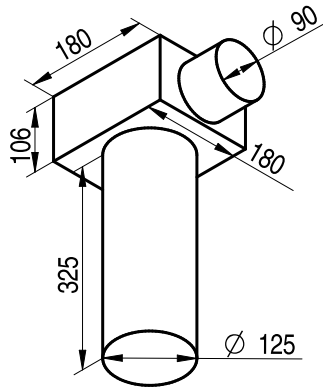
**KLOZ-1x90/125-0C** Pass-through ceiling / Wall box for DN 125 air valve



- Material: galvanised steel  
Supplied components:
- DN 125 plug
  - safeguards against movement of the flexible piping
  - 1 DN 90 sealing ring

Airflow speed m/s	2	2,5	3
Volume m <sup>3</sup> /h (1x90)	32	40	48

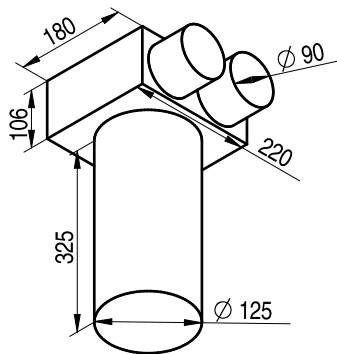
**KLO-1x90/125-0C** Pass-through ceiling / Wall box for DN 125 air valve



- Material: galvanised steel  
Supplied components:
- DN 125 plug
  - safeguards against movement of the flexible piping
  - installation fixtures
  - 1 DN 90 sealing ring

Airflow speed m/s	2	2,5	3
Volume m <sup>3</sup> /h (1x90)	32	40	48

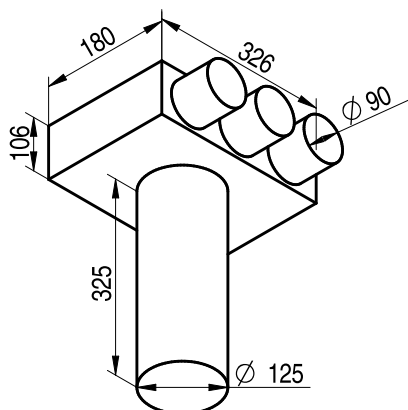
**KLO-2x90/125-0C** Pass-through ceiling / Wall box for DN 125 air valve



- Material: galvanised steel  
Supplied components:
- DN 125 plug
  - safeguards against movement of the flexible piping
  - installation fixtures
  - 2 DN 90 sealing rings

Airflow speed m/s	2	2,5	3
Volume m <sup>3</sup> /h (1x90)	32	40	48
Volume m <sup>3</sup> /h (2x90)	64	80	96

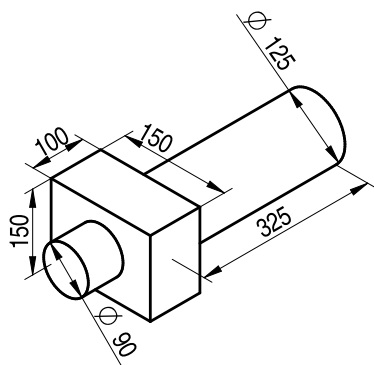
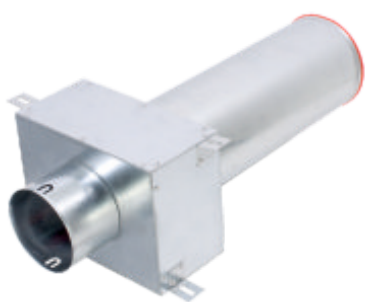
**KLO-3x90/125-0C** Pass-through ceiling / Wall box for DN 125 air valve



- Material: galvanised steel  
Supplied components:
- DN 125 plug
  - safeguards against movement of the flexible piping
  - installation fixtures
  - 3 DN 90 sealing rings

Airflow speed m/s	2	2,5	3
Volume m <sup>3</sup> /h (1x90)	32	40	48
Volume m <sup>3</sup> /h (2x90)	64	80	96
Volume m <sup>3</sup> /h (3x90)	96	120	144

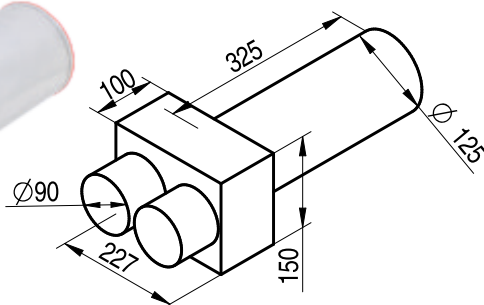
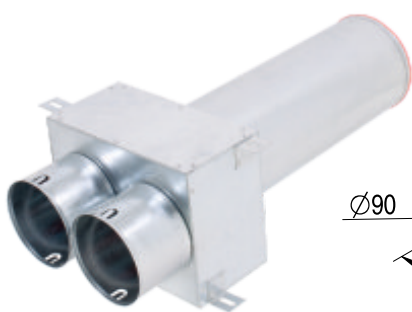
**KLO-1x90/P-125-0C** Pass-through flat ceiling / Wall box for DN 125 air valve



- Material: galvanised steel  
Supplied components:
- DN 125 plug
  - safeguards against movement of the flexible piping
  - installation fixtures
  - 1 DN 90 sealing rings

Airflow speed m/s	2	2,5	3
Volume m <sup>3</sup> /h (1x90)	32	40	48

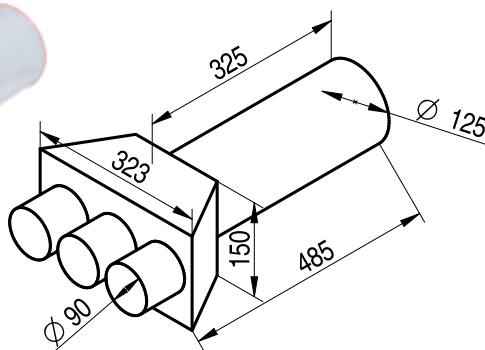
**KLO-2x90/P-125-0C** Pass-through flat ceiling / Wall box for DN 125 air valve



- Material: galvanised steel  
Supplied components:
- DN 125 plug
  - safeguards against movement of the flexible piping
  - installation fixtures
  - 2 DN 90 sealing rings

Airflow speed m/s	2	2,5	3
Volume m <sup>3</sup> /h (1x90)	32	40	48
Volume m <sup>3</sup> /h (2x90)	64	80	96

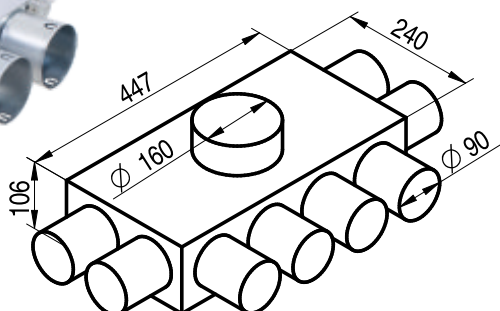
**KLO-3x90/P-125-0C** Pass-through flat ceiling / Wall box for DN 125 air valve



- Material: galvanised steel  
Supplied components:
- DN 125 plug
  - safeguards against movement of the flexible piping
  - installation fixtures
  - 3 DN 90 sealing rings

Airflow speed m/s	2	2,5	3
Volume m <sup>3</sup> /h (1x90)	32	40	48
Volume m <sup>3</sup> /h (2x90)	64	80	96
Volume m <sup>3</sup> /h (3x90)	96	120	144

**KL-8x90/160-0C** Flat distribution box

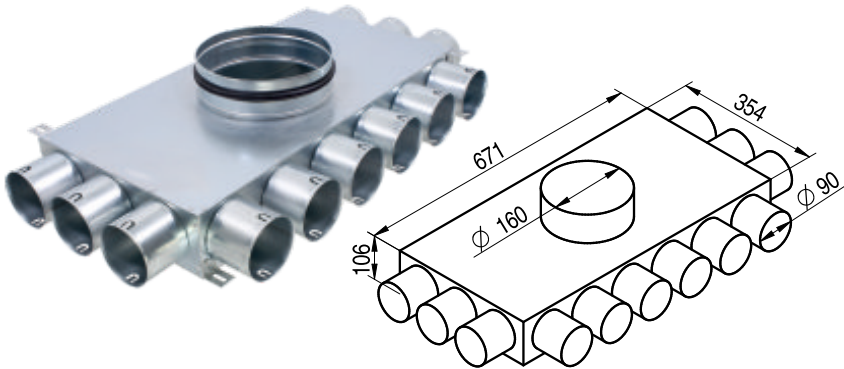


- Material: galvanised steel  
Supplied components:
- DN 160 seal O -ring
  - installation fixtures
  - safeguards against movement of the flexible piping
  - 8 DN 90 sealing rings
  - interior box insulation\*

Airflow speed m/s	2	2,5	3
Volume m <sup>3</sup> /h (8x90)	256	320	384

\* hygienical

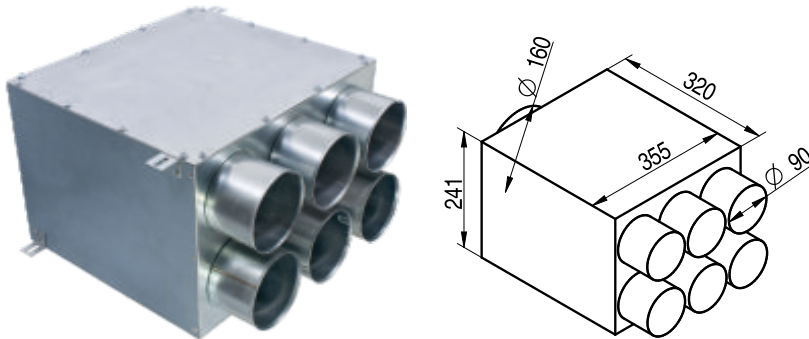
**KL-12x90/160-OC Flat distribution box**



Material: galvanised steel  
 Supplied components:  
 • DN 160 seal O -ring  
 • installation fixtures  
 • safeguards against movement of the flexible piping  
 • 12 DN 90 sealing rings  
 • interior box insulation\*

Airflow speed m/s	2	2,5	3
Volume m <sup>3</sup> /h (12x90)	384	480	576

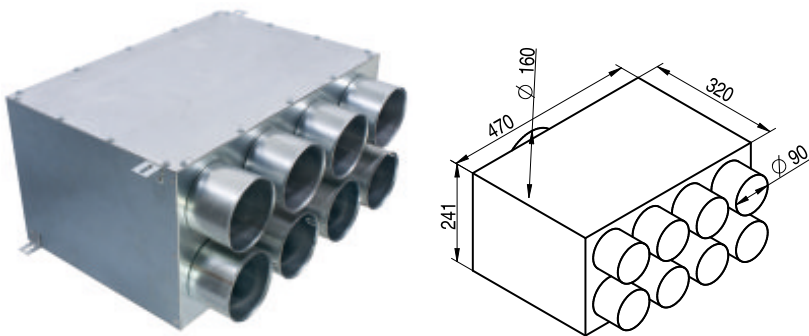
**RT2R-6x90/160-OC Direct distribution box**



Material: galvanised steel  
 Supplied components:  
 • DN 160 seal O -ring  
 • installation fixtures  
 • safeguards against movement of the flexible piping  
 • 6 DN 90 sealing rings  
 • interior box insulation\*  
 • inspection hatch

Airflow speed m/s	2	2,5	3
Volume m <sup>3</sup> /h (6x90)	192	240	288

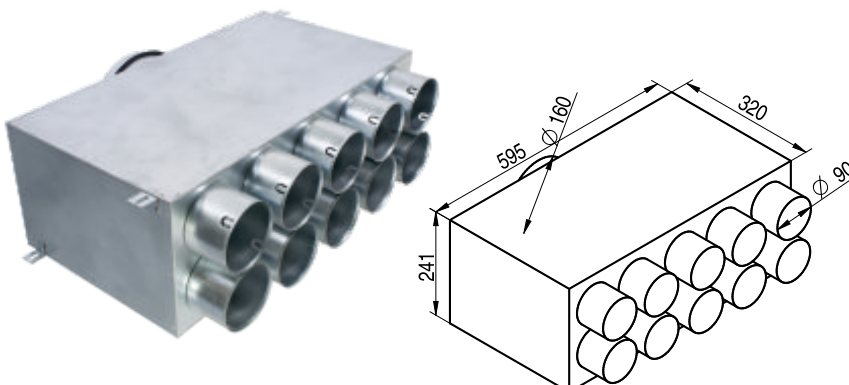
**RT2R-8x90/160-OC Direct distribution box**



Material: galvanised steel  
 Supplied components:  
 • DN 160 seal O -ring  
 • installation fixtures  
 • safeguards against movement of the flexible piping  
 • 8 DN 90 sealing rings  
 • interior box insulation\*  
 • inspection hatch

Airflow speed m/s	2	2,5	3
Volume m <sup>3</sup> /h (8x90)	256	320	384

**RT2R-10x90/160-OC Direct distribution box**



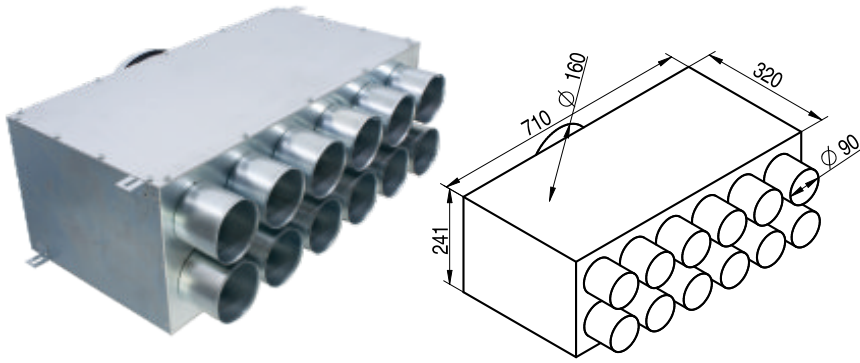
Material: galvanised steel  
 Supplied components:  
 • DN 160 seal O -ring  
 • installation fixtures  
 • safeguards against movement of the flexible piping  
 • 10 DN 90 sealing rings  
 • interior box insulation\*  
 • inspection hatch

Airflow speed m/s	2	2,5	3
Volume m <sup>3</sup> /h (10x90)	320	400	480

\* hygienical



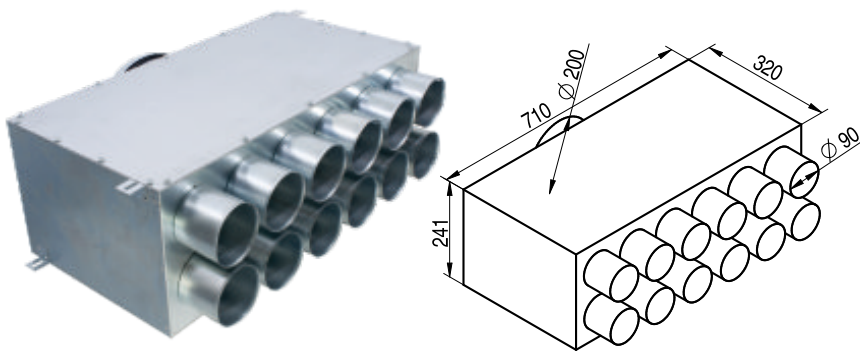
### RT2R-12x90/160-0C Direct distribution box



- Material: galvanised steel  
Supplied components:
- DN 160 seal O -ring
  - installation fixtures
  - safeguards against movement of the flexible piping
  - 12 DN 90 sealing rings
  - interior box insulation\*
  - inspection hatch

Airflow speed m/s	2	2,5	3
Volume m <sup>3</sup> /h (12x90)	384	480	576

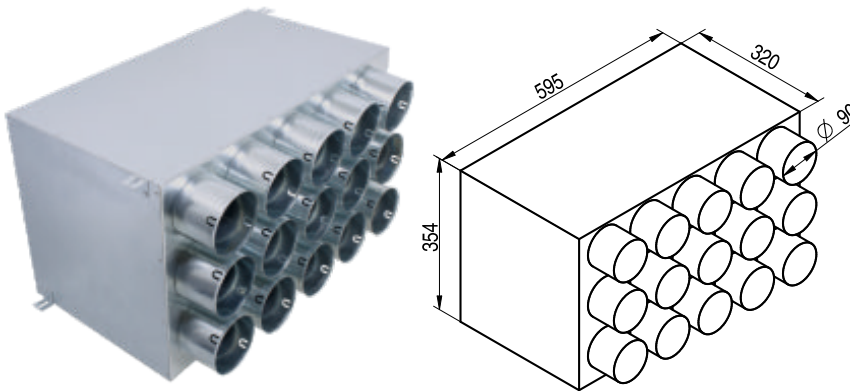
### RT2R-12x90/200-0C Direct distribution box



- Material: galvanised steel  
Supplied components:
- DN 200 seal O -ring
  - installation fixtures
  - safeguards against movement of the flexible piping
  - 12 DN 90 sealing rings
  - interior box insulation\*
  - inspection hatch

Airflow speed m/s	2	2,5	3
Volume m <sup>3</sup> /h (12x90)	384	480	576

### RT3R-15x90/160-0C Direct distribution box

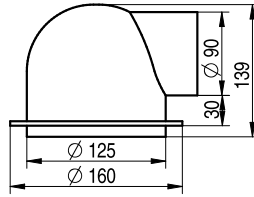


- Material: galvanised steel  
Supplied components:
- DN 160 seal O -ring
  - installation fixtures
  - safeguards against movement of the flexible piping
  - 15 DN 90 sealing rings
  - interior box insulation\*
  - inspection hatch

Airflow speed m/s	2	2,5	3
Volume m <sup>3</sup> /h (15x90)	480	600	720

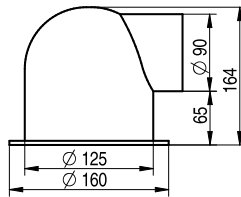
\* hygienical

### SV 90/125 Plastic ceiling/Wall outlet



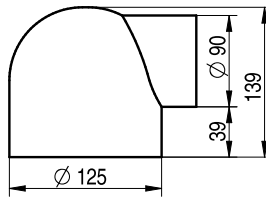
For installation on plasterboard with vapour barrier  
Input for DN 90 flexible piping  
Output for DN 125 table valve  
Material: PP  
Supplied components:  
• installation screws  
• DN 90 seal O-ring  
• DN 125 cap

### SVV-90-125 Plastic ceiling/Wall outlet



For installation on plasterboard with vapour barrier  
Input for DN 90 flexible piping  
Output for DN 125 table valve  
Material: PP  
Supplied components:  
• installation screws  
• DN 90 seal O-ring  
• DN 125 cap

### SJD-90-125 Plastic ceiling/Wall outlet

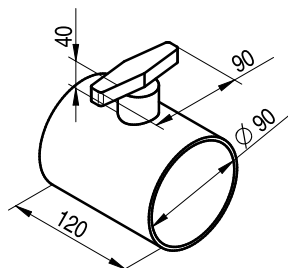


For installation on plasterboard with vapour barrier  
Input for DN 90 flexible piping  
Output for DN 125 table valve  
Material: PP  
Supplied components:  
• installation screws  
• DN 90 seal O-ring  
• DN 125 cap

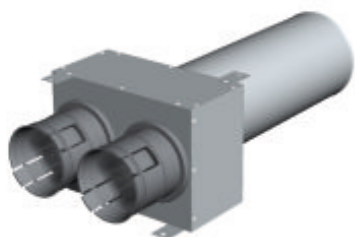


Example of use with the Lindab connector and SPIRO pipes  
**(not included in the delivery)**

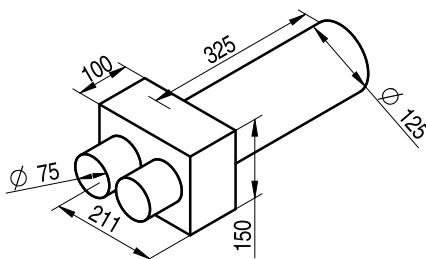
### RK-90 Airflow damper



For manually regulating the volume of air in the air-conditioning route  
Inlet and outlet intended for KLIMAFLEX SB DN 90 pipes  
Secure the pipe in the flap using air-tight tape  
Material: PP  
Parts:  
• locking nut for securing the position of the reducing valve



### KLO-2x75/P-125-PC-OC Pass-through flat ceiling / Wall box for DN 125 air valve



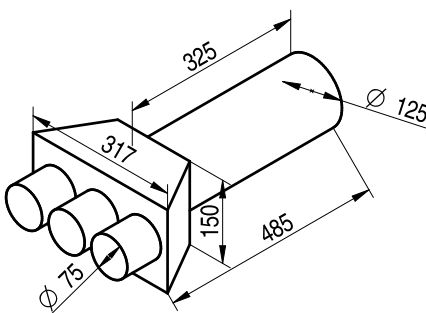
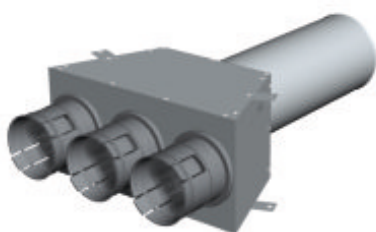
Material: galvanised steel, plastic

Supplied components:

- DN 125 plug
- installation fixtures
- safeguards against movement of the flexible piping
- 2 DN 75 sealing rings

Airflow speed m/s	2	2,5	3
Volume m <sup>3</sup> /h (1x75)	21	26	32
Volume m <sup>3</sup> /h (2x75)	42	52	64

### KLO-3x75/P-125-PC-OC Pass-through flat ceiling / Wall box for DN 125 air valve



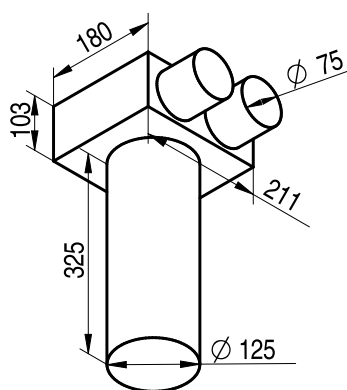
Material: galvanised steel, plastic

Supplied components:

- DN 125 plug
- installation fixtures
- safeguards against movement of the flexible piping
- 3 DN 75 sealing rings

Airflow speed m/s	2	2,5	3
Volume m <sup>3</sup> /h (1x75)	21	26	32
Volume m <sup>3</sup> /h (2x75)	42	52	64
Volume m <sup>3</sup> /h (3x75)	63	78	96

### KLO-2x75/125-PC-OC Pass-through ceiling / Wall box for DN 125 air valve



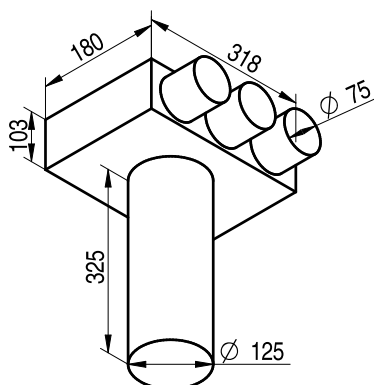
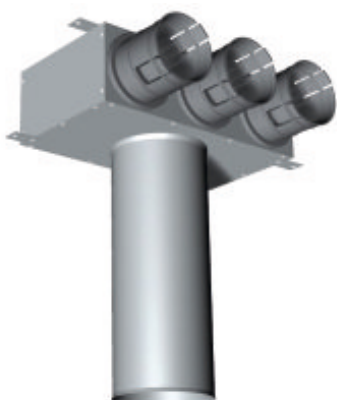
Material: galvanised steel, plastic

Supplied components:

- DN 125 plug
- installation fixtures
- safeguards against movement of the flexible piping
- 2 DN 75 sealing rings

Airflow speed m/s	2	2,5	3
Volume m <sup>3</sup> /h (1x75)	21	26	32
Volume m <sup>3</sup> /h (2x75)	42	52	64

### KLO-3x75/125-PC-OC Pass-through ceiling / Wall box for DN 125 air valve



Material: galvanised steel, plastic

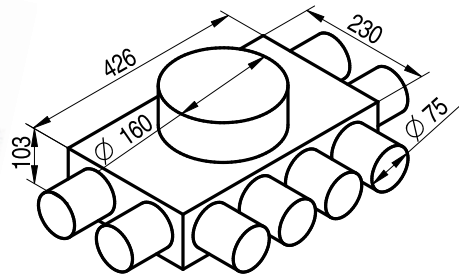
Supplied components:

- DN 125 plug
- installation fixtures
- safeguards against movement of the flexible piping
- 3 DN 75 sealing rings

Airflow speed m/s	2	2,5	3
Volume m <sup>3</sup> /h (1x75)	21	26	32
Volume m <sup>3</sup> /h (2x75)	42	52	64
Volume m <sup>3</sup> /h (3x75)	63	78	96



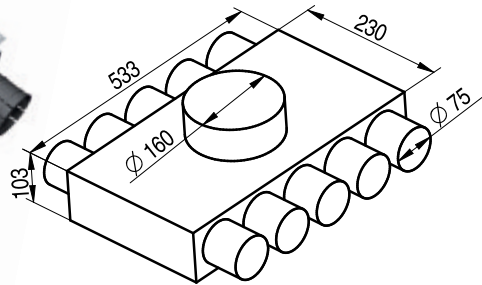
### KL-8x75/160-PC Flat distribution box



- Material: galvanised steel, plastic  
 Supplied components:
- DN 160 seal O -ring
  - installation fixtures
  - safeguards against movement of the flexible piping
  - 8 DN 75 sealing rings
  - interior box insulation\*

Airflow speed m/s	2	2,5	3
Volume m <sup>3</sup> /h (8x75)	168	208	256

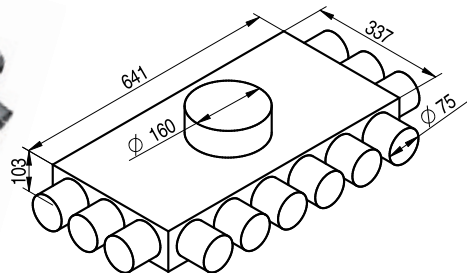
### KL-10x75/160-PC Flat distribution box



- Material: galvanised steel, plastic  
 Supplied components:
- DN 160 seal O -ring
  - installation fixtures
  - safeguards against movement of the flexible piping
  - 10 DN 75 sealing rings
  - interior box insulation\*

Airflow speed m/s	2	2,5	3
Volume m <sup>3</sup> /h (10x75)	210	260	320

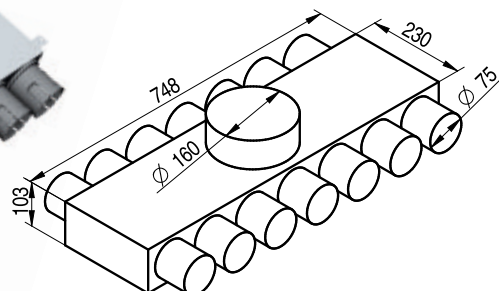
### KL-12x75/160-PC Flat distribution box



- Material: galvanised steel, plastic  
 Supplied components:
- DN 160 seal O -ring
  - installation fixtures
  - safeguards against movement of the flexible piping
  - 12 DN 75 sealing rings
  - interior box insulation\*

Airflow speed m/s	2	2,5	3
Volume m <sup>3</sup> /h (12x75)	252	312	384

### KL-14x75/160-PC Flat distribution box



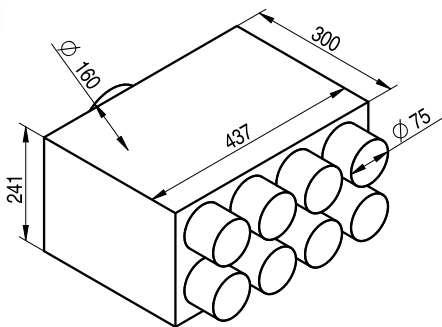
- Material: galvanised steel, plastic  
 Supplied components:
- DN 160 seal O -ring
  - installation fixtures
  - safeguards against movement of the flexible piping
  - 14 DN 75 sealing rings
  - interior box insulation\*

Airflow speed m/s	2	2,5	3
Volume m <sup>3</sup> /h (14x75)	294	364	448

\* hygienical

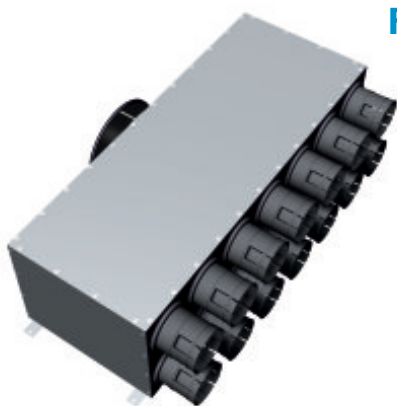


### RT2R-8x75/160-PC Direct distribution box

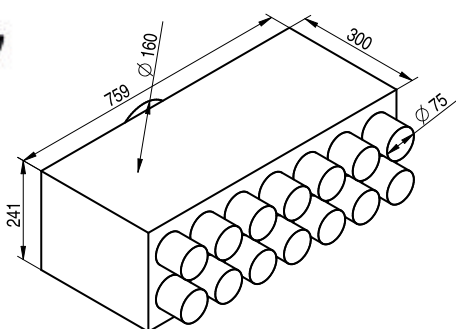


- Material: galvanised steel, plastic  
Supplied components:
- DN 160 seal O -ring
  - installation fixtures
  - safeguards against movement of the flexible piping
  - 8 DN 75 sealing rings
  - interior box insulation\*
  - inspection hatch

Airflow speed m/s	2	2,5	3
Volume m <sup>3</sup> /h (8x75)	168	208	256



### RT2R-14x75/160-PC Direct distribution box

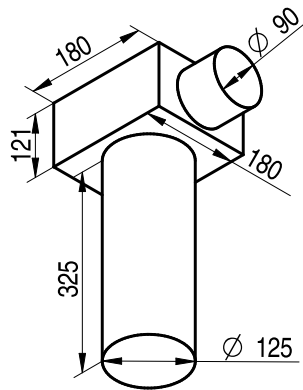


- Material: galvanised steel, plastic  
Supplied components:
- DN 160 seal O -ring
  - installation fixtures
  - safeguards against movement of the flexible piping
  - 14 DN 75 sealing rings
  - interior box insulation\*
  - inspection hatch

Airflow speed m/s	2	2,5	3
Volume m <sup>3</sup> /h (14x75)	294	364	448

\* hygienical

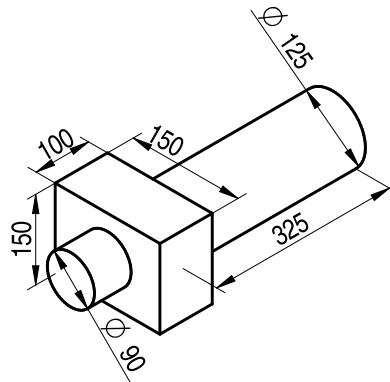
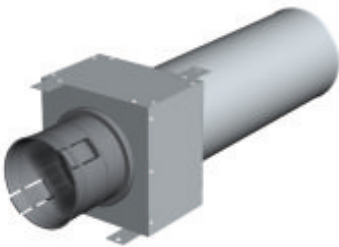
**KLO-1x90/125-PC-OC** Pass-through ceiling / Wall box for DN 125 air valv



- Material: galvanised steel, plastic  
Supplied components:
- DN 125 plug
  - safeguards against movement of the flexible piping
  - installation fixtures
  - 1 DN 90 sealing ring

Airflow speed m/s	2	2,5	3
Volume m <sup>3</sup> /h (1x90)	32	40	48

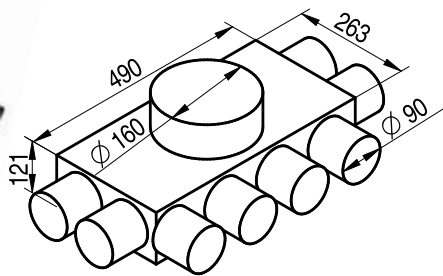
**KLO-1x90/P-125-PC-OC** Pass-through flat ceiling / Wall box for DN 125 air valve



- Material: galvanised steel, plastic  
Supplied components:
- DN 125 plug
  - safeguards against movement of the flexible piping
  - installation fixtures
  - 1 DN 90 sealing ring

Airflow speed m/s	2	2,5	3
Volume m <sup>3</sup> /h (1x90)	32	40	48

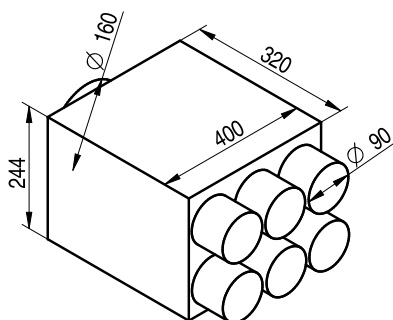
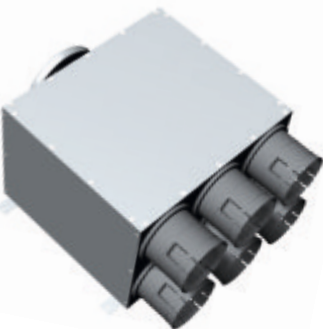
**KL-8x90/160-PC** Flat distribution box



- Material: galvanised steel, plastic  
Supplied components:
- DN 160 seal O -ring
  - installation fixtures
  - safeguards against movement of the flexible piping
  - 8 DN 75 sealing rings
  - interior box insulation\*

Airflow speed m/s	2	2,5	3
Volume m <sup>3</sup> /h (8x90)	256	320	384

**RT2R-6x90/160-PC** Direct distribution box

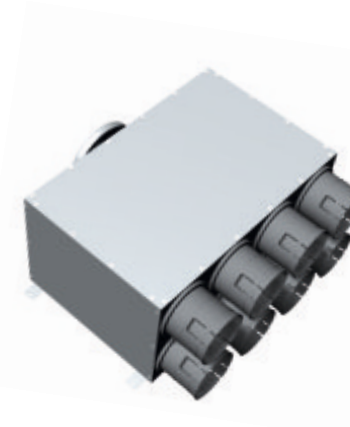


- Material: galvanised steel, plastic  
Supplied components:
- DN 160 seal O -ring
  - installation fixtures
  - safeguards against movement of the flexible piping
  - 6 DN 90 sealing rings
  - interior box insulation\*
  - inspection hatch

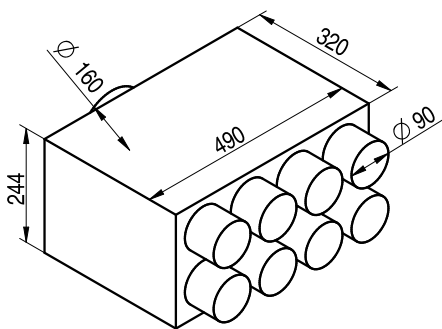
Airflow speed m/s	2	2,5	3
Volume m <sup>3</sup> /h (6x90)	192	240	288

\* hygienical



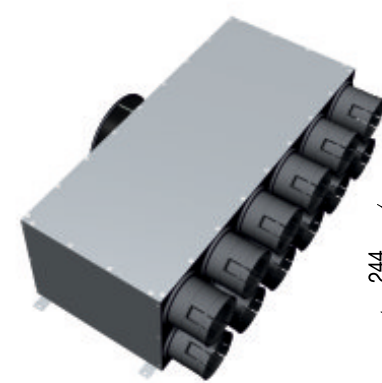


**RT2R-8x90/160-PC Direct distribution box**

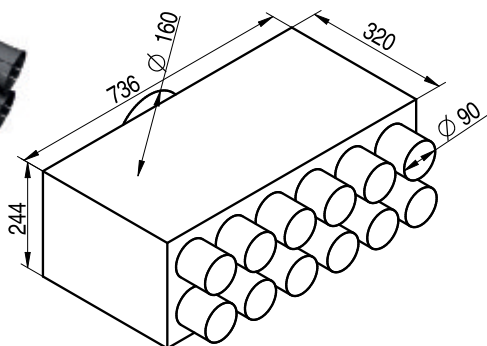


- Material: galvanised steel, plastic  
Supplied components:
- DN 160 seal O -ring
  - installation fixtures
  - safeguards against movement of the flexible piping
  - 8 DN 90 sealing rings
  - interior box insulation\*
  - inspection hatch

Airflow speed m/s	2	2,5	3
Volume m <sup>3</sup> /h (8x90)	256	320	384



**RT2R-12x90/160-PC Direct distribution box**

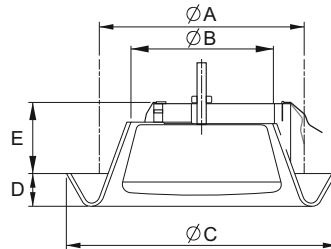


- Material: galvanised steel, plastic  
Supplied components:
- DN 160 seal O -ring
  - installation fixtures
  - safeguards against movement of the flexible piping
  - 12 DN 90 sealing rings
  - interior box insulation\*
  - inspection hatch

Airflow speed m/s	2	2,5	3
Volume m <sup>3</sup> /h (12x90)	384	480	576

\* hygienical

### PLVE-O/125 Plastic disc air exhaust valve



Suitable for the KLO, SV wall or ceiling box  
 Easy regulation of air-flow  
 The aerodynamic design of the valve shape reduces noise made by exhausted air  
 High resistance to temperature, up to 120°C  
 Low weight  
 Clean using ordinary detergent

Material:

- valve - polypropylene (PP)
- sealing ring - polyurethane foam
- central screw, nut, compression spring - steel

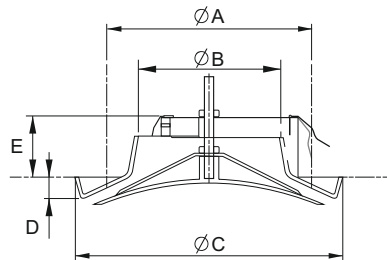
Colour: white RAL 9011

Packaging: in PE bags

Order code	A	B	C	D	E
	mm	mm	mm	mm	mm
PLVE-O/100*	100	70	138	20	45
PLVE-O/125	125	85	165	20	43
PLVE-O/150*	150	95	193	21	45
PLVE-O/160*	160	95	193	21	45
PLVE-O/200*	200	162	240	18	45

\* Made to order

### PLVE-P/125 Plastic disc air supply and exhaust valve



Suitable for the KLO, SV wall or ceiling box, for installation frame  
 Easy regulation of air-flow  
 The aerodynamic design of the valve shape reduces noise made by exhausted air  
 High resistance to temperature, up to 120°C  
 Low weight  
 Clean using ordinary detergent

Material:

- valve - polypropylene (PP)
- sealing ring - polyurethane foam
- central screw, nut, compression spring - steel

Colour: white RAL 9011

Packaging: in PE bags

Order code	A	B	C	D	E
	mm	mm	mm	mm	mm
PLVE-P/100*	100	74	150	17	40
PLVE-P/125	125	93	180	20	40
PLVE-P/150*	150	113	205	23	35
PLVE-P/160*	160	113	205	23	35
PLVE-P/200*	200	165	245	22	45

\* Made to order



## SKVE Design glass valve

For air intake and outflow with easy and fast airflow control

For attachment to a wall or ceiling

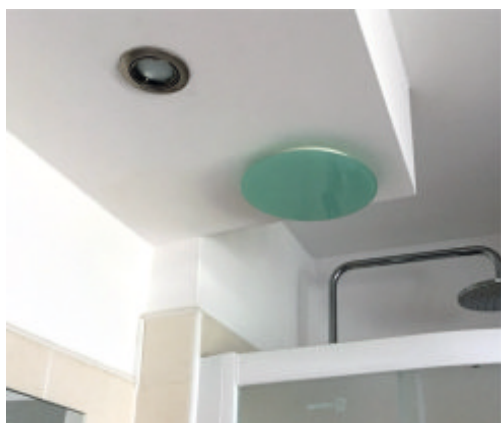
The valve consists:

- the body of the valve - is fitted within a system of piping by three metal springs
- the glass front plate - is attached to the body of the valve using springs

Shape: square (CT) or ring (KR)

Colours: gloss (L), matt (M)

Order code	For pipe dimensions DN	Body diameter mm	Exterior diameter mm	Body depth mm	Diameter of the valve cap mm
SKVE/100/CT or KR/L or M	100	90	137,5	54	200
SKVE/125/CT or KR/L or M	125	114	156	57	200
SKVE/160/CT or KR/L or M	160	149	191	57	230



### Colours gloss



Aluminium Rich 9007



Anthracite Authentic 7016



Black Classic 9005



Brown Light 1236



Grey Metal 9006



White Pearl 1013



White Pure 9003



White Soft 9010

### Colours matt



Anthracite Authentic 7016M



Beige Warm 1015M



Black Classic 9005M



Brown Light 1236M



Green Soft 8615M



Silver Clearvision 1003M



White Pure 9003M



White Soft 9010M

#### On request:

Blue Shadow 7000  
Brown Natural 7013  
Red Luminous 1586  
Red Terracota 8815

#### On request:

Silver Bronze 1002M  
Brown Natural 7013M  
Silver Grey 1001M  
Red Terracota 8815M



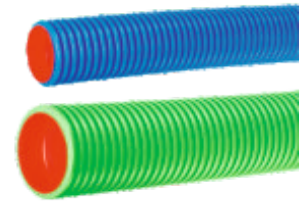
## Other accessories



### End cap

Material: PE-HD  
 • for flexible piping

For pipe dimensions DN	63	75	90
Order code	ZA-63	ZA-75	ZA-90



• for box outlets

End cap for box DN	63	75	90
Order code	ZAB-63	ZAB-75	ZAB-90



### Exterior connector for connecting the flexible piping

Material: PP

For pipe dimensions DN	63	75	90
Order code	ZV-63	ZV-75	ZV-90



### Sealing ring

Material: EPDM

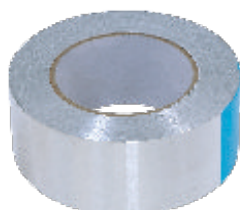
• for connecting the flexible piping

For pipe dimensions DN	63	75	90
Order code	UV-63	UV-75	UV-90



• for connecting the flexible piping to the box

For pipe dimensions DN	63	75	90
Order code	UVB-63	UVB-75	UVB-90



### Aluminium self-adhesive tape

Material: glass-fibre reinforced aluminium, acrylic-based adhesive film

For sealing connections between pipes and boxes

For securing end caps

Tape dimension	Width 50 mm/ length 50 m	Width 75 mm/ length 50 m	Width 100 mm/ length 50 m
Order code	PAL 50	PAL 75	PAL 100



### Shrink-seal connectors

Heat-shrink pipe connector  
For sealing connections between pipes and boxes  
Length 1000 mm  
Application using a hot-air gun  
Moulds to the pipe surface

For pipe dimensions DN	63	75	90
Order code	STS01	STS01	STS02



### Noise damper

Enables achievement of a significant noise damping effect in circular pipes.  
Material:

- external casing galvanised metal sheet
- internal casing perforated galvanised metal sheet

Damping layer:

- mineral wool with nonwoven textile

Outlet component:

- radial shaft seal

Order code	Internal diameter d1 mm	External diameter D mm	Length L* mm
TH50* 100/0200/0900/S	100	200	900
TH50* 125/0224/0900/S	125	224	900
TH50* 160/0250/0900/S	160	250	900
TH50* 200/0315/0900/S	200	315	900
TH50* 250/0355/0900/S	250	355	900

\*additional dimensions on request

Damping of dB in frequency band (Hz)

f /Hz/	63	125	250	500	1k	2k	4k	8k	Di on LAeq,T /dB/ **
Order code	Di /dB/ acoustic damping effect								
TH50 0100/0200/0900/S	5	17	26	34	30	34	37	25	26,0
TH50 0125/0224/0900/S	3	13	20	32	29	35	31	21	23,0
TH50 0160/0250/0900/S	2	9	13	27	32	39	26	15	20,4
TH50 0200/0315/0900/S	3	6	12	20	24	23	15	12	14,4
TH50 0250/0355/0900/S	5	2	6	11	15	9	7	5	7,5
TH50 0315/0400/0900/S	3	1	5	12	16	14	8	5	8,0
TH50 0400/0500/0900/S	7	1	6	9	10	7	6	5	6,4

\*\* equivalent acoustic pressure level LAeq,T in dB

## Installation of KLIMAFLEX SB pipes to KL, KLO, KLOZ and RT boxes



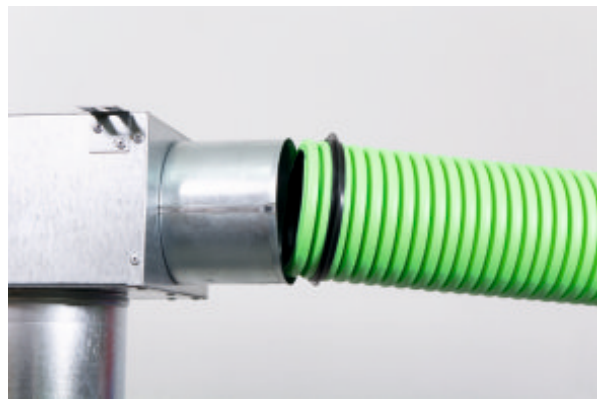
1) Cut the pipe to the required length at the groove in the corrugation.



2) Fit a sealing ring to the 2<sup>nd</sup> or 3<sup>rd</sup> groove.



3) Apply lubricant to the interior surface of the outlet.\*



4) Insert the pipe as far as it will go.



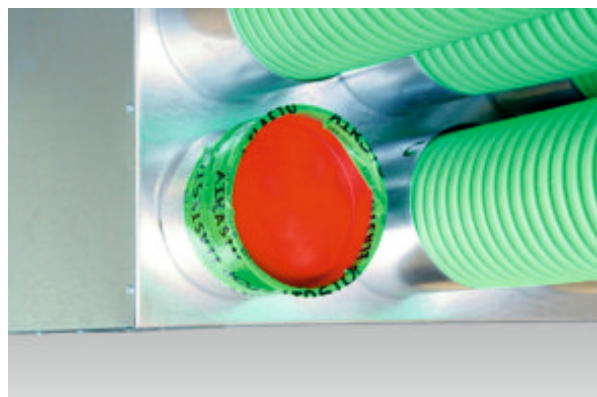
5) Press both locks to prevent the pipe from sliding out.



6) Correct lock position.



7) Secure the connection using air-tight self-adhesive tape.



8) We recommend that the end caps on unused and sealed outlets be secured using air-tight self-adhesive tape.

\* E.g. washing-up liquid, silicone oil etc. Petroleum-based oils, lubricating grease and solvents **MUST NOT BE USED**.



## Installation of the plastic disc valve



1) Press the plastic disc valve into the anchored ventilation system outlet.



2) Insert the valve as far as it will go towards the ceiling/wall structure.



3) Regulate the air-flow by rotating the central disc, which modifies the valve opening.



4) After adjusting to the required air-flow rate, disassemble the valve by removing it, and lock the central disc using the securing nut\*.



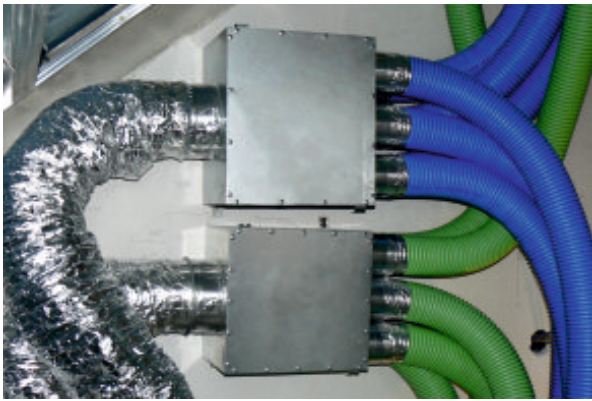
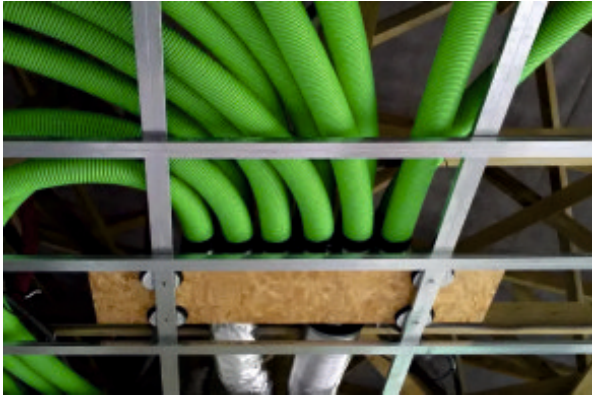
Plastic disc air supply valve



Plastic disc air exhaust valve

1) Re-install the valve and check that it is firmly seated in the structure.

Project design and execution of construction work including HRV






## The advantages of using KLIMAFLEX accessories and pipes




- speed and simplicity of installation
- adaptability to the type of installation
- increased flexibility while retaining mechanical durability
- low weight
- easy modification of pipe length
- anti-bacterial and anti-fungal treatment applied to the interior of the pipe
- low acquisition costs compared to other types of distribution system
- uniform air distribution
- low pressure losses in the pipeline
- sealing rings for connecting the pipes to the boxes are included in the delivery
- no material losses, left-over pipes can be used by inserting a connector




### Recommendations:

- the available pressure must be verified on long routes (over 15 m)
- secure connections between the boxes and the pipes using air-tight tape
- recommended maximum air-flow speed up to 3 m/s
- protect the ends of pipes against dust and dirt by fitting end caps (included in the delivery) after installation and before starting operation
- projects and installation should be realised according to the relevant building regulations and guidelines valid at the site of installation
- the maximum distance between anchoring strips when installing beneath the ceiling is 1,000 mm
- condensate removal must be resolved when distributing moist air
- insulate pipeline (insulation thickness 20 mm):
  - a) if the pipeline is used to carry cooled air and leads through a warm room
  - b) if the pipeline leads through a space with a lower temperature than the temperature of the transported air – the heat-loss requirements of the relevant standards (the thermal conductivity of the pipe wall is approx. 0.28 – 0.30 W/mK, thermal resistance is approx. 0.034-0.040 m<sup>2</sup> K/W)

### Air flow rate

KLIMAFLEX SB DN 63 (m <sup>3</sup> /h)			
Number of tubes	Air flow speed		
	2 m/s	2,5 m/s	3 m/s
	14,7	18,4	22,1
	29,4	36,8	44,2
	44,1	55,2	66,3

KLIMAFLEX SB DN 75 (m <sup>3</sup> /h)			
Number of tubes	Air flow speed		
	2 m/s	2,5 m/s	3 m/s
	21,0	26,3	31,6
	42,0	52,6	63,2
	63,0	78,9	94,8

KLIMAFLEX SB DN 90 (m <sup>3</sup> /h)			
Number of tubes	Air flow speed		
	2 m/s	2,5 m/s	3 m/s
	31,8	39,8	47,7
	63,6	79,6	95,4
	95,4	119,4	143,1



Housing project "SKY Barrandov" in Prague 5







MATEICIUC a.s.

Ke Koupališti 370/15, CZ-742 35 Odry

telefon: +420 556 312 411

e-mail: [marketing@mateiciuc.cz](mailto:marketing@mateiciuc.cz)

[www.mat-plasty.com](http://www.mat-plasty.com)